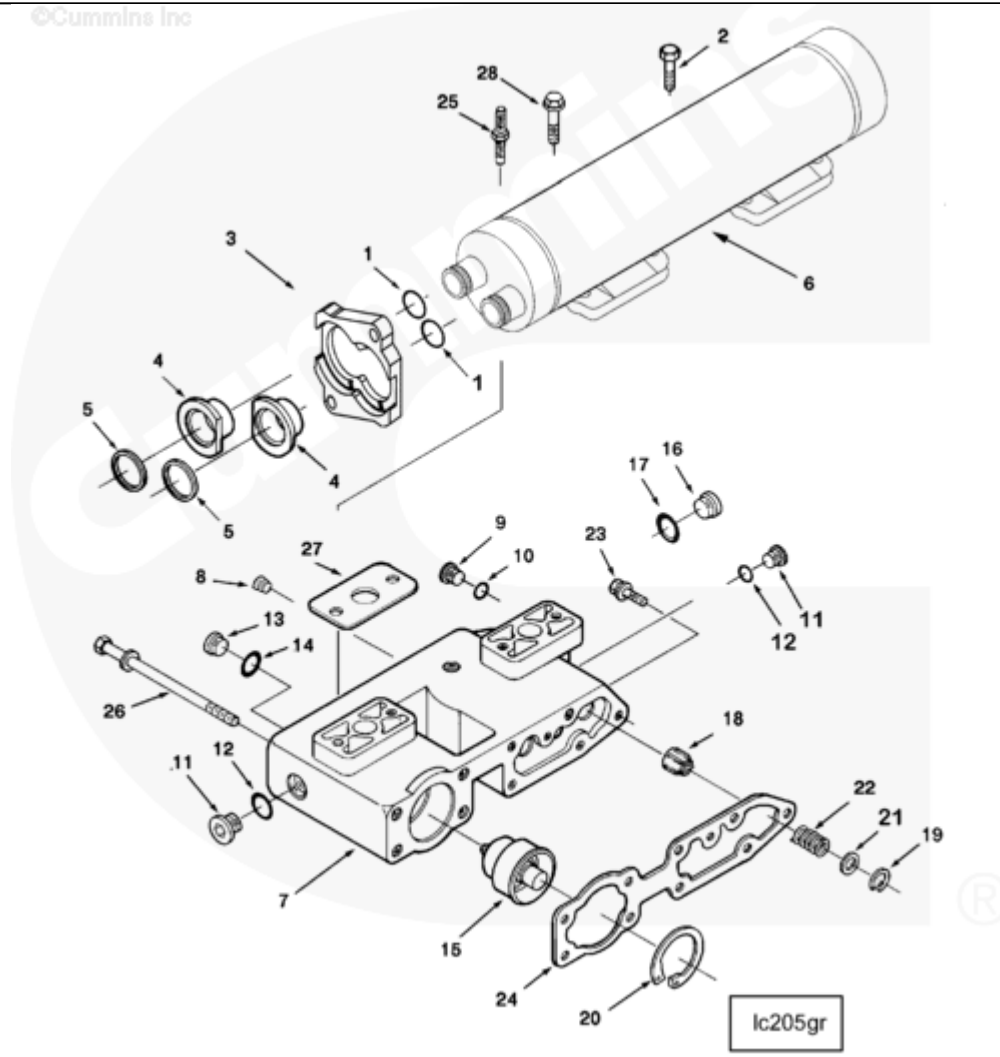




Parts Catalog - Option Detail

Electronic Parts Catalog - Option Detail				
Option	Group	Graphic	Film Card	Date
LC2739-04	07.05	lc205gr	II	26-FEB-04
Engines	ISM CM570, ISM CM570/870, ISM CM875, ISM CM876, ISM CM876 E, ISM11 CM876 M103, ISM11 CM876 SN, M11 CELECT, M11 CELECT PLUS, M11 MECHANICAL, QSM11 CM570, QSM11 CM876			



[SMALL](#) | [MEDIUM](#) | [LARGE](#)

Cart	Ref No	Part Number	Part Description	Required	Remarks
View My Cart					
		LC2739-04	Lubricating Oil Cooler		Lube Oil Cooler...(More)
					Lube Oil Cooler

					Oil Filter Location: Direct
					to Filter Head
					Engine Brake Provision: No
					Oil Filter Type: Combination
					Full Flow/Bypass
					Lube Oil Filter Head Thread
					Size: M95 x 2.5
					Thermo Opening Temp: 101.667
					C (215 F)
					Oil Temp Sensor Plumbing
					Provision: No
					Lube Filter Head Oil Port has
					Been Plugged
					Increased Soot Level
					Capability: No
<input type="checkbox"/>	1	109080	O-Ring Seal	2	
<input type="checkbox"/>	2	3034836	Hexagon Head Cap Screw	4	M10 x 1.50 x 30
<input type="checkbox"/>	3	3102571	Connection Retainer	1	
<input type="checkbox"/>	4	3080401	O-Ring Adapter	2	
<input type="checkbox"/>	5	3080769	Rectangular Ring Seal	2	
<input type="checkbox"/>	6	3161781	Oil Cooler	1	
		4083284	Lubricating Oil Filter Head	1	
<input type="checkbox"/>	7	3102774	Lubricating Oil Filter Head	1	
<input type="checkbox"/>	8	3008466	Pipe Plug	1	1/4 NPT.
<input type="checkbox"/>		3037536	Threaded Plug	2	9/16 - 18 UNF
	9	3040813	Threaded Plug	1	9/16 - 18 UNF
<input type="checkbox"/>	10	3037537	O-Ring Seal	1	
<input type="checkbox"/>		3040815	Threaded Plug	1	7/18 - 14 UNF

	11	3040816	Threaded Plug	1	Service as 3040815
<input type="checkbox"/>	12	3040817	O-Ring Seal	1	
<input type="checkbox"/>		3046202	Threaded Plug	1	3/4 - 16 UNF.
	13	3040810	Threaded Plug	1	
<input type="checkbox"/>	14	3046201	O-Ring Seal	1	
<input type="checkbox"/>	15	3411419	Thermostat	1	
<input type="checkbox"/>		3202101	Threaded Plug	1	1 1/16 - 12 UNF
	16	3050897	Threaded Plug	1	
<input type="checkbox"/>	17	3046943	O-Ring Seal	1	
<input type="checkbox"/>	18	3820320	Bypass Valve Plunger	1	
<input type="checkbox"/>	19	3820631	Retaining Ring	1	
<input type="checkbox"/>	20	3820782	Retaining Ring	1	
<input type="checkbox"/>	21	3882585	Expansion Plug	1	
<input type="checkbox"/>	22	3882586	Compression Spring	1	
<input type="checkbox"/>	23	3896724	Hexagon Flange Head Cap Screw	3	M10 x 1.50 x 30
<input type="checkbox"/>	24	3820629	Filter Head Gasket	1	
<input type="checkbox"/>	25	3883394	Studded Hexagon Cap Screw	2	M8x1.25x20 - M10x1.50x70
<input type="checkbox"/>	26	3406888	Hexagon Flange Head Cap Screw	6	M10 x 1.50 x 170
<input type="checkbox"/>	27	3892625	Oil Cooler Support Gasket	2	
<input type="checkbox"/>	28	3903112	Hexagon Flange Head Cap Screw	1	M10 X 1.50 X 30.